

REPLACEMENT PARTS

PUMPS

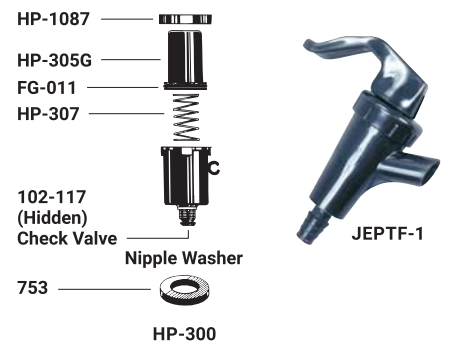
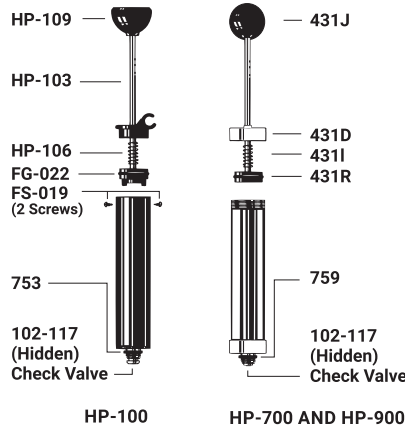
| PART NO. | DESCRIPTION |
|----------|---|
| HP-300 | 3" low profile plastic pump with plastic piston |
| HP-700 | 4" chrome pump with chrome plated brass piston |
| HP-900 | 8" chrome pump with chrome plated brass piston |
| HP-100 | 8" plastic pump with stainless steel piston |

PARTS FOR HP-100

| PART NO. | DESCRIPTION |
|----------|--------------------|
| HP-109 | Knob |
| HP-103 | SS piston rod |
| HP-106 | Spring |
| FG-022 | O-ring |
| FS-019 | Screw (2 required) |

PARTS FOR HP-700 AND HP-900

| PART NO. | DESCRIPTION |
|----------|----------------------|
| 431J | Knob |
| 431D | Top cap |
| 431I | Spring |
| 431R | Quad ring |
| 102-117 | Check valve (hidden) |
| 759 | Washer |



PARTS FOR HP-300 PUMP

| PART NO. | DESCRIPTION |
|----------|---------------|
| HP-1087 | Cap |
| FG-011 | O-ring |
| HP-305G | Piston |
| HP-307 | Spring |
| 753 | Nipple washer |

PICNIC FAUCET

| PART NO. | DESCRIPTION |
|----------|--------------------|
| JEPTF-1 | |
| 547B24WF | With picnic faucet |



BODY WASHER

| PART NO. | DESCRIPTION |
|----------|----------------------------|
| FT84-2A | Fits 7500, FT44 & FT45 |
| BJ-108N | Grabber® body & probe seal |

PROBE AND O-RING LUBRICANT

| PART NO. | DESCRIPTION |
|----------|--------------------------------------|
| FT101L | 1 oz FDA listed, odorless, tasteless |



TWIN PROBE

| PART NO. | DESCRIPTION |
|----------|-----------------|
| TC202-8 | Check valve |
| PART NO. | DESCRIPTION |
| 1776-8 | Figure 8 washer |



PARTS FOR JERR

| PART NO. | DESCRIPTION |
|----------|-------------------|
| 4301 | Faucet knob |
| 4933K | Chrome faucet |
| JERR | Rod assembly only |
| JEPC-30 | Clamp set |

CHECK VALVE

Not for use with Legend series picnic pumps.

| PART NO. |
|----------|
| 752 |

